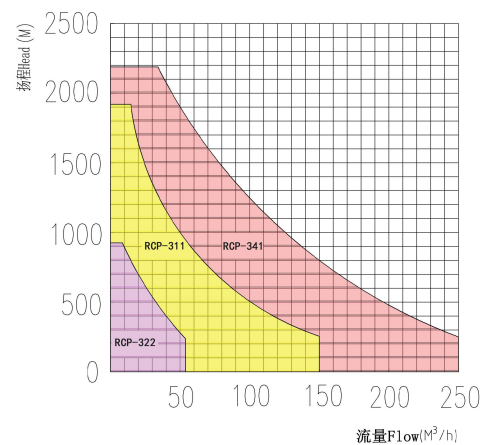
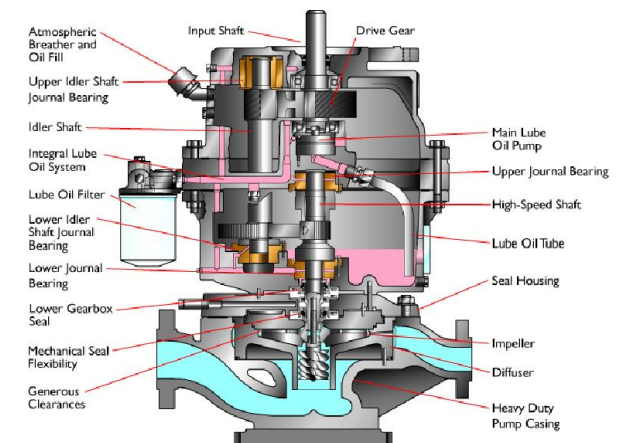


# RCP-V4 SERIES Vertical High-Speed Centrifugal Pump

- Dual-stage speedup, Single suction, Vertical
- Use Open straight blade centrifugal impeller
- Supporting: Slide bearing + thrust bearing(integral copper alloy bearing)
- Lubrication: Built-in oil pump + auxiliary gear oil pump



Pump Type	RCP-V4
Max. Flow (m <sup>3</sup> /h)	250
Max. Head (m)	2180
Max. Suction Pressure(MPa)	6.8
Max. Working Pressure (MPa)	20.0
Max. Motor Power(kW)	355
Temperature Range (°C)	-130~+340
Speed Range (rpm)	4950-28000
Gearbox type	Two Stages



## RCP-V4 DESIGN FEATURE

### Lube Oil Pump:

Improved design eliminates oil pressure fluctuations. prevents oil.

### Radial Journal Bearing:

To ensure the smooth operation of the pump.

### Tapered Thrust Washer:

Handles higher thrust capacity and is dimensionally interchangeable.

### Output Shaft Assembly:

Balancing standard service reduces vibration and noise while improving reliability and operating life. ISO 1940 Grade 1.0. Designed for minimum bearing span to overhang ratio.

### Extended Oil Sight Glass:

Greatly improves oil level reading accuracy at all temperatures and speeds. Helps to prevent overfilling.

### Oil Mechanical Seal:

Eliminates leakage and reduces clean-up and contamination to atmosphere. Improves durability for shipping, storage, and assembly.

### Mechanical Seal:

Eliminates leakage and reduces clean-up and contamination to atmosphere. Improves durability for shipping, storage, and assembly. Single, Double, & Tandem Mechanical Seal Arrangements can be optional.

### Input Shaft Assembly:

Balancing standard service reduces vibration and noise while improving reliability and operating life. ISO 1940 Grade 1.0.

### Tapered Alignment Pins:

Maintains true position and integrity of the bearing bores. Alignment is maintained even after multiple rebuilds

### Combination Labyrinth Seal:

The inner sleeve eliminates input shaft grooving and extends seal life to 3 years. The seal may be removed and reused many times.

### O-Rings Standard in Gearbox Split Line:

Eliminates leakage and reduces clean-up and contamination to atmosphere. Improves durability for shipping, storage, and assembly.

### Idler Shaft Assembly:

Balancing standard service reduces vibration and noise while improving reliability and operating life. ISO 1940 Grade 1.0.

### Impeller:

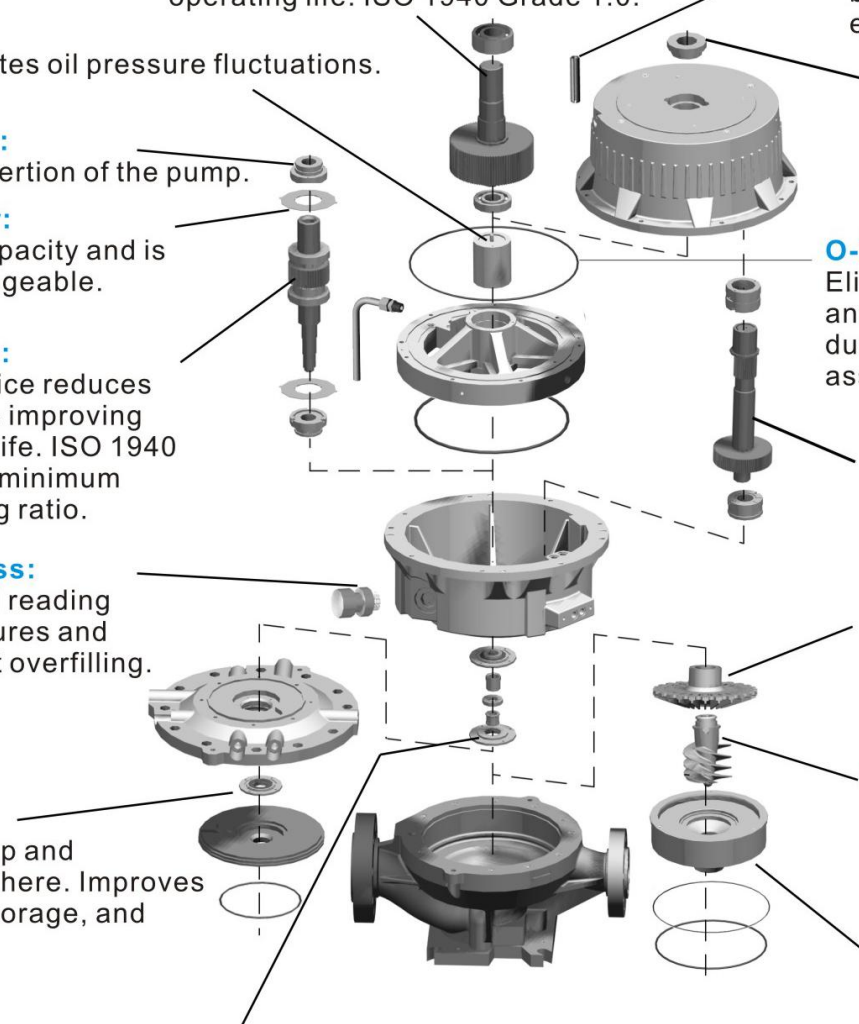
With the impeller combination, can effectively improve the hydraulic efficiency of the pump, reducing pump vibration and noise.

### Inducer:

Produced by machining center, which can better improve the NPSHr of the pump.

### Diffuser:

The hydraulic optimization design can effectively improve the hydraulic efficiency of the pump.





# Partial Parts Display





## Zhejiang Ruichen Pump Technology Co.,Ltd

**OFFICE Address:** Rm.203-5, Building 30, Hangzhou Bay New Economic Park, Jiaxing Port District, Jiaxing City, Zhejiang Province, China.

**FACTORY Address:** Bulding No.5, Binhai Pioneer Park, Jiaxing Port District, Jiaxing City, Zhejiang Province, China.

**Website:** [www.hdsrm.com](http://www.hdsrm.com)

**Tel:** 86-573-85531362 **Fax:** 86-573-85531062

**Mobile/Wechat:** 86-15105872388

**Email:** [ruichenpump@126.com](mailto:ruichenpump@126.com)

