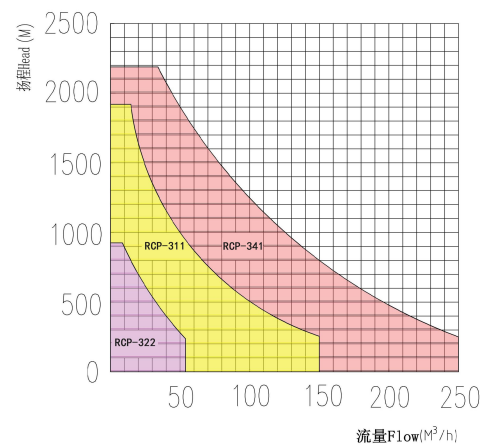
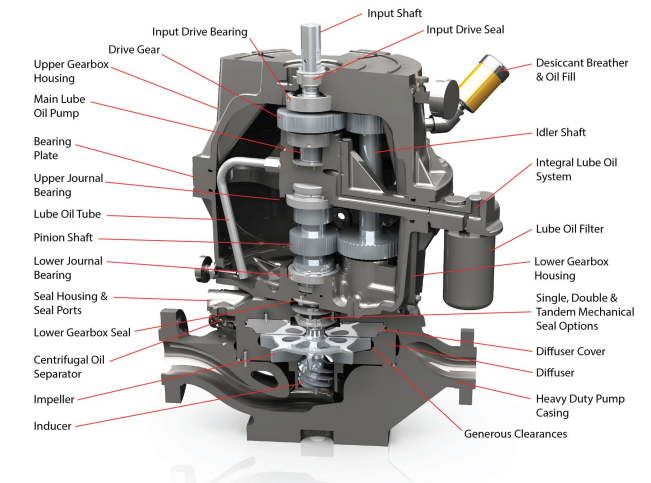


# RCP-V1 SERIES Vertical High-Speed Centrifugal Pump

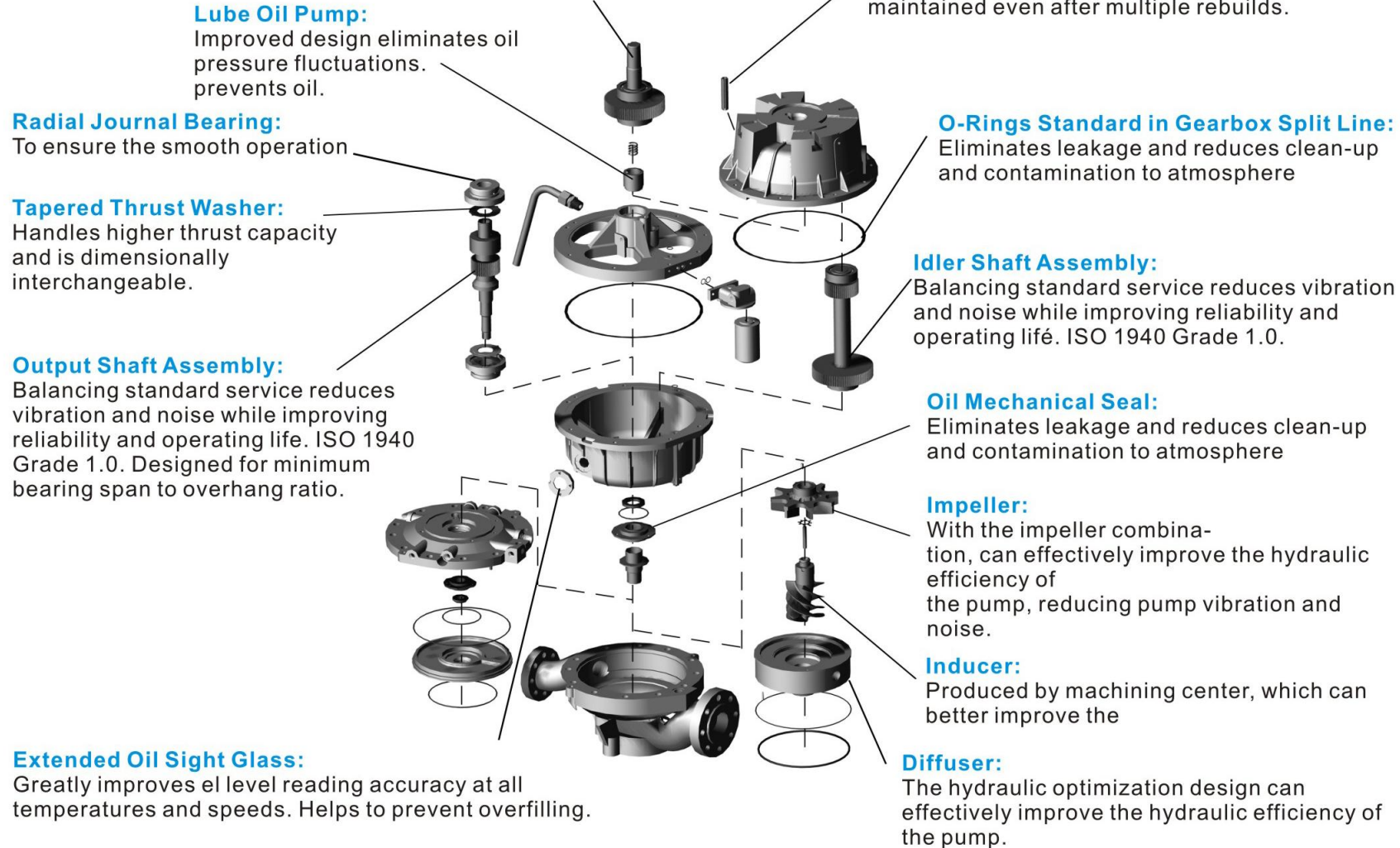
- Dual-stage speedup, Single suction, Vertical
- Use Open straight blade centrifugal impeller
- Supporting: Slide bearing + thrust bearing(integral copper alloy bearing)
- Lubrication: Built-in oil pump + auxiliary gear oil pump



Pump Type	RCP-V1
Max. Flow (m³/h)	150
Max. Head (m)	1920
Max. Suction Pressure(MPa)	6.8
Max. Working Pressure (MPa)	20.0
Max. Motor Power(kW)	132
Temperature Range (°C)	-130~+340
Speed Range (rpm)	4950-23700
Gearbox type	Two Stages



## RCP-V1 DESIGN FEATURE



# Partial Parts Display







## Zhejiang Ruichen Pump Technology Co.,Ltd

**OFFICE Address:** Rm.203-5, Building 30, Hangzhou Bay New Economic Park, Jiaxing Port District, Jiaxing City, Zhejiang Province, China.

**FACTORY Address:** Bulding No.5, Binhai Pioneer Park, Jiaxing Port District, Jiaxing City, Zhejiang Province,China.

**Website:** [www.hdsrm.com](http://www.hdsrm.com)

**Tel:**86-573-85531362 **Fax:**86-573-85531062

**Mobile/Wechat:** 86-15105872388

**Email:** [ruichenpump@126.com](mailto:ruichenpump@126.com)

